

Network Working Group  
Request for Comments: 4762  
Category: Standards Track

M. Lasserre, Ed.  
V. Kompella, Ed.  
Alcatel-Lucent  
January 2007

## Virtual Private LAN Service (VPLS) Using Label Distribution Protocol (LDP) Signaling

### Status of This Memo

This document specifies an Internet standards track protocol for the Internet community, and requests discussion and suggestions for improvements. Please refer to the current edition of the "Internet Official Protocol Standards" (STD 1) for the standardization state and status of this protocol. Distribution of this memo is unlimited.

### Copyright Notice

Copyright (C) The IETF Trust (2007).

### IESG Note

The L2VPN Working Group produced two separate documents, RFC 4761 and this document, that perform similar functions using different signaling protocols. Be aware that each method is commonly referred to as "VPLS" even though they are distinct and incompatible with one another.

### Abstract

This document describes a Virtual Private LAN Service (VPLS) solution using pseudowires, a service previously implemented over other tunneling technologies and known as Transparent LAN Services (TLS). A VPLS creates an emulated LAN segment for a given set of users; i.e., it creates a Layer 2 broadcast domain that is fully capable of learning and forwarding on Ethernet MAC addresses and that is closed to a given set of users. Multiple VPLS services can be supported from a single Provider Edge (PE) node.

This document describes the control plane functions of signaling pseudowire labels using Label Distribution Protocol (LDP), extending RFC 4447. It is agnostic to discovery protocols. The data plane functions of forwarding are also described, focusing in particular on the learning of MAC addresses. The encapsulation of VPLS packets is described by RFC 4448.

## Table of Contents

1. Introduction .....	3
2. Terminology .....	3
2.1. Conventions .....	4
3. Acronyms .....	4
4. Topological Model for VPLS .....	5
4.1. Flooding and Forwarding .....	6
4.2. Address Learning .....	6
4.3. Tunnel Topology .....	7
4.4. Loop free VPLS .....	7
5. Discovery .....	7
6. Control Plane .....	7
6.1. LDP-Based Signaling of Demultiplexers .....	8
6.1.1. Using the Generalized PwId FEC Element .....	8
6.2. MAC Address Withdrawal .....	9
6.2.1. MAC List TLV .....	9
6.2.2. Address Withdraw Message Containing MAC List TLV ...	11
7. Data Forwarding on an Ethernet PW .....	11
7.1. VPLS Encapsulation Actions .....	11
7.2. VPLS Learning Actions .....	12
8. Data Forwarding on an Ethernet VLAN PW .....	13
8.1. VPLS Encapsulation Actions .....	13
9. Operation of a VPLS .....	14
9.1. MAC Address Aging .....	15
10. A Hierarchical VPLS Model .....	16
10.1. Hierarchical Connectivity .....	16
10.1.1. Spoke Connectivity for Bridging-Capable Devices ...	17
10.1.2. Advantages of Spoke Connectivity .....	18
10.1.3. Spoke Connectivity for Non-Bridging Devices .....	19
10.2. Redundant Spoke Connections .....	21
10.2.1. Dual-Homed MTU-s .....	21
10.2.2. Failure Detection and Recovery .....	22
10.3. Multi-domain VPLS Service .....	23
11. Hierarchical VPLS Model Using Ethernet Access Network .....	23
11.1. Scalability .....	24
11.2. Dual Homing and Failure Recovery .....	24
12. Contributors .....	25
13. Acknowledgements .....	25
14. Security Considerations .....	26
15. IANA Considerations .....	26
16. References .....	27
16.1. Normative References .....	27
16.2. Informative References .....	27
Appendix A. VPLS Signaling using the PwId FEC Element .....	29

## 1. Introduction

Ethernet has become the predominant technology for Local Area Network (LAN) connectivity and is gaining acceptance as an access technology, specifically in Metropolitan and Wide Area Networks (MAN and WAN, respectively). The primary motivation behind Virtual Private LAN Services (VPLS) is to provide connectivity between geographically dispersed customer sites across MANs and WANs, as if they were connected using a LAN. The intended application for the end-user can be divided into the following two categories:

- Connectivity between customer routers: LAN routing application
- Connectivity between customer Ethernet switches: LAN switching application

Broadcast and multicast services are available over traditional LANs. Sites that belong to the same broadcast domain and that are connected via an MPLS network expect broadcast, multicast, and unicast traffic to be forwarded to the proper location(s). This requires MAC address learning/aging on a per-pseudowire basis, and packet replication across pseudowires for multicast/broadcast traffic and for flooding of unknown unicast destination traffic.

[RFC4448] defines how to carry Layer 2 (L2) frames over point-to-point pseudowires (PW). This document describes extensions to [RFC4447] for transporting Ethernet/802.3 and VLAN [802.1Q] traffic across multiple sites that belong to the same L2 broadcast domain or VPLS. Note that the same model can be applied to other 802.1 technologies. It describes a simple and scalable way to offer Virtual LAN services, including the appropriate flooding of broadcast, multicast, and unknown unicast destination traffic over MPLS, without the need for address resolution servers or other external servers, as discussed in [L2VPN-REQ].

The following discussion applies to devices that are VPLS capable and have a means of tunneling labeled packets amongst each other. The resulting set of interconnected devices forms a private MPLS VPN.

## 2. Terminology

- |                    |   |
|--------------------|---|
| Q-in-Q             | 802.1ad Provider Bridge extensions also known as stackable VLANs or Q-in-Q.   |
| Qualified learning | Learning mode in which each customer VLAN is mapped to its own VPLS instance. |

Service delimiter	Information used to identify a specific customer service instance. This is typically encoded in the encapsulation header of customer frames (e.g., VLAN Id).
Tagged frame	Frame with an 802.1Q VLAN identifier.
Unqualified learning	Learning mode where all the VLANs of a single customer are mapped to a single VPLS.
Untagged frame	Frame without an 802.1Q VLAN identifier.

### 2.1. Conventions

The key words "MUST", "MUST NOT", "REQUIRED", "SHALL", "SHALL NOT", "SHOULD", "SHOULD NOT", "RECOMMENDED", "MAY", and "OPTIONAL" in this document are to be interpreted as described in RFC 2119 [RFC2119].

### 3. Acronyms

AC	Attachment Circuit
BPDU	Bridge Protocol Data Unit
CE	Customer Edge device
FEC	Forwarding Equivalence Class
FIB	Forwarding Information Base
GRE	Generic Routing Encapsulation
IPsec	IP security
L2TP	Layer Two Tunneling Protocol
LAN	Local Area Network
LDP	Label Distribution Protocol
MTU-s	Multi-Tenant Unit switch
PE	Provider Edge device
PW	Pseudowire
STP	Spanning Tree Protocol

VLAN            Virtual LAN  
 VLAN tag        VLAN Identifier

4. Topological Model for VPLS

An interface participating in a VPLS must be able to flood, forward, and filter Ethernet frames. Figure 1, below, shows the topological model of a VPLS. The set of PE devices interconnected via PWs appears as a single emulated LAN to customer X. Each PE will form remote MAC address to PW associations and associate directly attached MAC addresses to local customer facing ports. This is modeled on standard IEEE 802.1 MAC address learning.

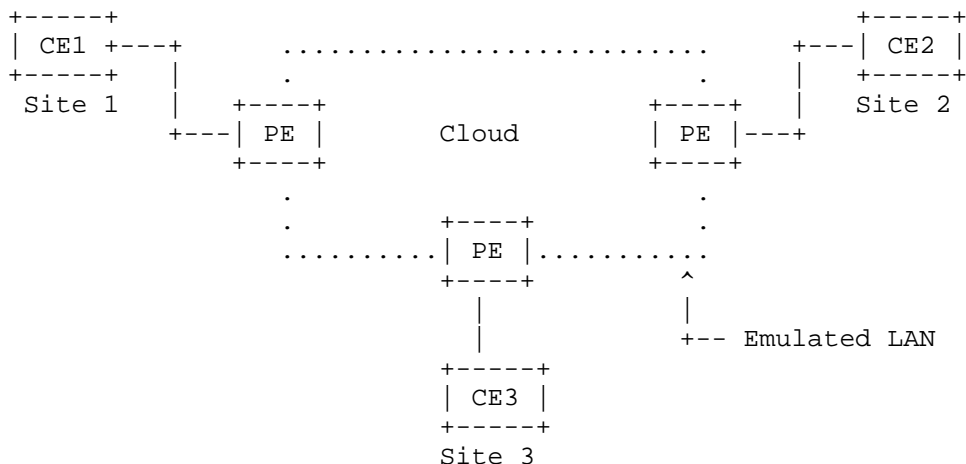


Figure 1: Topological Model of a VPLS for Customer X with three sites

We note here again that while this document shows specific examples using MPLS transport tunnels, other tunnels that can be used by PWs (as mentioned in [RFC4447]) -- e.g., GRE, L2TP, IPsec -- can also be used, as long as the originating PE can be identified, since this is used in the MAC learning process.

The scope of the VPLS lies within the PEs in the service provider network, highlighting the fact that apart from customer service delineation, the form of access to a customer site is not relevant to the VPLS [L2VPN-REQ]. In other words, the attachment circuit (AC) connected to the customer could be a physical Ethernet port, a logical (tagged) Ethernet port, an ATM PVC carrying Ethernet frames, etc., or even an Ethernet PW.

The PE is typically an edge router capable of running the LDP signaling protocol and/or routing protocols to set up PWs. In addition, it is capable of setting up transport tunnels to other PEs and delivering traffic over PWs.

#### 4.1. Flooding and Forwarding

One of attributes of an Ethernet service is that frames sent to broadcast addresses and to unknown destination MAC addresses are flooded to all ports. To achieve flooding within the service provider network, all unknown unicast, broadcast and multicast frames are flooded over the corresponding PWs to all PE nodes participating in the VPLS, as well as to all ACs.

Note that multicast frames are a special case and do not necessarily have to be sent to all VPN members. For simplicity, the default approach of broadcasting multicast frames is used.

To forward a frame, a PE MUST be able to associate a destination MAC address with a PW. It is unreasonable and perhaps impossible to require that PEs statically configure an association of every possible destination MAC address with a PW. Therefore, VPLS-capable PEs SHOULD have the capability to dynamically learn MAC addresses on both ACs and PWs and to forward and replicate packets across both ACs and PWs.

#### 4.2. Address Learning

Unlike BGP VPNs [RFC4364], reachability information is not advertised and distributed via a control plane. Reachability is obtained by standard learning bridge functions in the data plane.

When a packet arrives on a PW, if the source MAC address is unknown, it needs to be associated with the PW, so that outbound packets to that MAC address can be delivered over the associated PW. Likewise, when a packet arrives on an AC, if the source MAC address is unknown, it needs to be associated with the AC, so that outbound packets to that MAC address can be delivered over the associated AC.

Standard learning, filtering, and forwarding actions, as defined in [802.1D-ORIG], [802.1D-REV], and [802.1Q], are required when a PW or AC state changes.

#### 4.3. Tunnel Topology

PE routers are assumed to have the capability to establish transport tunnels. Tunnels are set up between PEs to aggregate traffic. PWs are signaled to demultiplex encapsulated Ethernet frames from multiple VPLS instances that traverse the transport tunnels.

In an Ethernet L2VPN, it becomes the responsibility of the service provider to create the loop-free topology. For the sake of simplicity, we define that the topology of a VPLS is a full mesh of PWs.

#### 4.4. Loop free VPLS

If the topology of the VPLS is not restricted to a full mesh, then it may be that for two PEs not directly connected via PWs, they would have to use an intermediary PE to relay packets. This topology would require the use of some loop-breaking protocol, like a spanning tree protocol.

Instead, a full mesh of PWs is established between PEs. Since every PE is now directly connected to every other PE in the VPLS via a PW, there is no longer any need to relay packets, and we can instantiate a simpler loop-breaking rule: the "split horizon" rule, whereby a PE MUST NOT forward traffic from one PW to another in the same VPLS mesh.

Note that customers are allowed to run a Spanning Tree Protocol (STP) (e.g., as defined in [802.1D-REV]), such as when a customer has "back door" links used to provide redundancy in the case of a failure within the VPLS. In such a case, STP Bridge PDUs (BPDUs) are simply tunneled through the provider cloud.

#### 5. Discovery

The capability to manually configure the addresses of the remote PEs is REQUIRED. However, the use of manual configuration is not necessary if an auto-discovery procedure is used. A number of auto-discovery procedures are compatible with this document ([RADIUS-DISC], [BGP-DISC]).

#### 6. Control Plane

This document describes the control plane functions of signaling of PW labels. Some foundational work in the area of support for multi-homing is laid. The extensions to provide multi-homing support should work independently of the basic VPLS operation, and they are not described here.

## 6.1. LDP-Based Signaling of Demultiplexers

A full mesh of LDP sessions is used to establish the mesh of PWs. The requirement for a full mesh of PWs may result in a large number of targeted LDP sessions. Section 10 discusses the option of setting up hierarchical topologies in order to minimize the size of the VPLS full mesh.

Once an LDP session has been formed between two PEs, all PWs between these two PEs are signaled over this session.

In [RFC4447], two types of FECs are described: the Pwid FEC Element (FEC type 128) and the Generalized Pwid FEC Element (FEC type 129). The original FEC element used for VPLS was compatible with the Pwid FEC Element. The text for signaling using the Pwid FEC Element has been moved to Appendix A. What we describe below replaces that with a more generalized L2VPN descriptor, the Generalized Pwid FEC Element.

### 6.1.1. Using the Generalized Pwid FEC Element

[RFC4447] describes a generalized FEC structure that is be used for VPLS signaling in the following manner. We describe the assignment of the Generalized Pwid FEC Element fields in the context of VPLS signaling.

Control bit (C): This bit is used to signal the use of the control word as specified in [RFC4447].

PW type: The allowed PW types are Ethernet (0x0005) and Ethernet tagged mode (0x004), as specified in [RFC4446].

PW info length: As specified in [RFC4447].

Attachment Group Identifier (AGI), Length, Value: The unique name of this VPLS. The AGI identifies a type of name, and Length denotes the length of Value, which is the name of the VPLS. We use the term AGI interchangeably with VPLS identifier.

Target Attachment Individual Identifier (TAII), Source Attachment Individual Identifier (SAII): These are null because the mesh of PWs in a VPLS terminates on MAC learning tables, rather than on individual attachment circuits. The use of non-null TAI and SAI is reserved for future enhancements.



Interface Parameters: The relevant interface parameters are:

- MTU: The MTU (Maximum Transmission Unit) of the VPLS MUST be the same across all the PWs in the mesh.
- Optional Description String: Same as [RFC4447].
- Requested VLAN ID: If the PW type is Ethernet tagged mode, this parameter may be used to signal the insertion of the appropriate VLAN ID, as defined in [RFC4448].

## 6.2. MAC Address Withdrawal

It MAY be desirable to remove or unlearn MAC addresses that have been dynamically learned for faster convergence. This is accomplished by sending an LDP Address Withdraw Message with the list of MAC addresses to be removed to all other PEs over the corresponding LDP sessions.

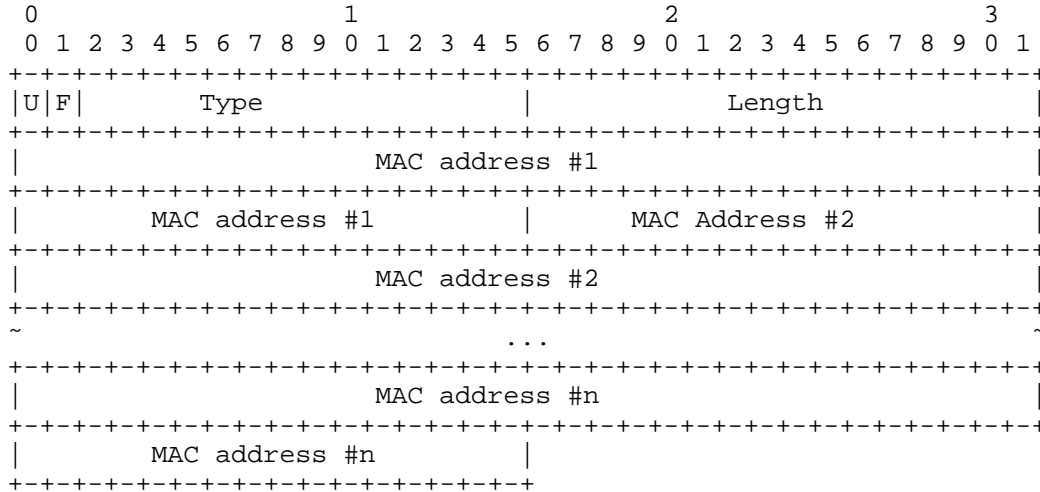
We introduce an optional MAC List TLV in LDP to specify a list of MAC addresses that can be removed or unlearned using the LDP Address Withdraw Message.

The Address Withdraw message with MAC List TLVs MAY be supported in order to expedite removal of MAC addresses as the result of a topology change (e.g., failure of the primary link for a dual-homed VPLS-capable switch).

In order to minimize the impact on LDP convergence time, when the MAC list TLV contains a large number of MAC addresses, it may be preferable to send a MAC address withdrawal message with an empty list.

### 6.2.1. MAC List TLV

MAC addresses to be unlearned can be signaled using an LDP Address Withdraw Message that contains a new TLV, the MAC List TLV. Its format is described below. The encoding of a MAC List TLV address is the 6-octet MAC address specified by IEEE 802 documents [802.1D-ORIG] [802.1D-REV].



U bit: Unknown bit. This bit MUST be set to 1. If the MAC address format is not understood, then the TLV is not understood and MUST be ignored.

F bit: Forward bit. This bit MUST be set to 0. Since the LDP mechanism used here is targeted, the TLV MUST NOT be forwarded.

Type: Type field. This field MUST be set to 0x0404. This identifies the TLV type as MAC List TLV.

Length: Length field. This field specifies the total length in octets of the MAC addresses in the TLV. The length MUST be a multiple of 6.

MAC Address: The MAC address(es) being removed.

The MAC Address Withdraw Message contains a FEC TLV (to identify the VPLS affected), a MAC Address TLV, and optional parameters. No optional parameters have been defined for the MAC Address Withdraw signaling. Note that if a PE receives a MAC Address Withdraw Message and does not understand it, it MUST ignore the message. In this case, instead of flushing its MAC address table, it will continue to use stale information, unless:

- it receives a packet with a known MAC address association, but from a different PW, in which case it replaces the old association; or
- it ages out the old association.

The MAC Address Withdraw message only helps speed up convergence, so PEs that do not understand the message can continue to participate in the VPLS.

#### 6.2.2. Address Withdraw Message Containing MAC List TLV

The processing for MAC List TLV received in an Address Withdraw Message is:

For each MAC address in the TLV:

- Remove the association between the MAC address and the AC or PW over which this message is received.

For a MAC Address Withdraw message with empty list:

- Remove all the MAC addresses associated with the VPLS instance (specified by the FEC TLV) except the MAC addresses learned over the PW associated with this signaling session over which the message was received.

The scope of a MAC List TLV is the VPLS specified in the FEC TLV in the MAC Address Withdraw Message. The number of MAC addresses can be deduced from the length field in the TLV.

### 7. Data Forwarding on an Ethernet PW

This section describes the data plane behavior on an Ethernet PW used in a VPLS. While the encapsulation is similar to that described in [RFC4448], the functions of stripping the service-delimiting tag and using a "normalized" Ethernet frame are described.

#### 7.1. VPLS Encapsulation Actions

In a VPLS, a customer Ethernet frame without preamble is encapsulated with a header as defined in [RFC4448]. A customer Ethernet frame is defined as follows:

- If the frame, as it arrives at the PE, has an encapsulation that is used by the local PE as a service delimiter, i.e., to identify the customer and/or the particular service of that customer, then that encapsulation may be stripped before the frame is sent into the VPLS. As the frame exits the VPLS, the frame may have a service-delimiting encapsulation inserted.

- If the frame, as it arrives at the PE, has an encapsulation that is not service delimiting, then it is a customer frame whose encapsulation should not be modified by the VPLS. This covers, for example, a frame that carries customer-specific VLAN tags that the service provider neither knows about nor wants to modify.

As an application of these rules, a customer frame may arrive at a customer-facing port with a VLAN tag that identifies the customer's VPLS instance. That tag would be stripped before it is encapsulated in the VPLS. At egress, the frame may be tagged again, if a service-delimiting tag is used, or it may be untagged if none is used.

Likewise, if a customer frame arrives at a customer-facing port over an ATM or Frame Relay VC that identifies the customer's VPLS instance, then the ATM or FR encapsulation is removed before the frame is passed into the VPLS.

Contrariwise, if a customer frame arrives at a customer-facing port with a VLAN tag that identifies a VLAN domain in the customer L2 network, then the tag is not modified or stripped, as it belongs with the rest of the customer frame.

By following the above rules, the Ethernet frame that traverses a VPLS is always a customer Ethernet frame. Note that the two actions, at ingress and egress, of dealing with service delimiters are local actions that neither PE has to signal to the other. They allow, for example, a mix-and-match of VLAN tagged and untagged services at either end, and they do not carry across a VPLS a VLAN tag that has local significance only. The service delimiter may be an MPLS label also, whereby an Ethernet PW given by [RFC4448] can serve as the access side connection into a PE. An RFC1483 Bridged PVC encapsulation could also serve as a service delimiter. By limiting the scope of locally significant encapsulations to the edge, hierarchical VPLS models can be developed that provide the capability to network-engineer scalable VPLS deployments, as described below.

## 7.2. VPLS Learning Actions

Learning is done based on the customer Ethernet frame as defined above. The Forwarding Information Base (FIB) keeps track of the mapping of customer Ethernet frame addressing and the appropriate PW to use. We define two modes of learning: qualified and unqualified learning. Qualified learning is the default mode and MUST be supported. Support of unqualified learning is OPTIONAL.

In unqualified learning, all the VLANs of a single customer are handled by a single VPLS, which means they all share a single broadcast domain and a single MAC address space. This means that MAC addresses need to be unique and non-overlapping among customer VLANs, or else they cannot be differentiated within the VPLS instance, and this can result in loss of customer frames. An application of unqualified learning is port-based VPLS service for a given customer (e.g., customer with non-multiplexed AC where all the traffic on a physical port, which may include multiple customer VLANs, is mapped to a single VPLS instance).

In qualified learning, each customer VLAN is assigned to its own VPLS instance, which means each customer VLAN has its own broadcast domain and MAC address space. Therefore, in qualified learning, MAC addresses among customer VLANs may overlap with each other, but they will be handled correctly since each customer VLAN has its own FIB; i.e., each customer VLAN has its own MAC address space. Since VPLS broadcasts multicast frames by default, qualified learning offers the advantage of limiting the broadcast scope to a given customer VLAN. Qualified learning can result in large FIB table sizes, because the logical MAC address is now a VLAN tag + MAC address.

For STP to work in qualified learning mode, a VPLS PE must be able to forward STP BPDUs over the proper VPLS instance. In a hierarchical VPLS case (see details in Section 10), service delimiting tags (Q-in-Q or [RFC4448]) can be added such that PEs can unambiguously identify all customer traffic, including STP BPDUs. In a basic VPLS case, upstream switches must insert such service delimiting tags. When an access port is shared among multiple customers, a reserved VLAN per customer domain must be used to carry STP traffic. The STP frames are encapsulated with a unique provider tag per customer (as the regular customer traffic), and a PEs looks up the provider tag to send such frames across the proper VPLS instance.

## 8. Data Forwarding on an Ethernet VLAN PW

This section describes the data plane behavior on an Ethernet VLAN PW in a VPLS. While the encapsulation is similar to that described in [RFC4448], the functions of imposing tags and using a "normalized" Ethernet frame are described. The learning behavior is the same as for Ethernet PWs.

### 8.1. VPLS Encapsulation Actions

In a VPLS, a customer Ethernet frame without preamble is encapsulated with a header as defined in [RFC4448]. A customer Ethernet frame is defined as follows:

- If the frame, as it arrives at the PE, has an encapsulation that is part of the customer frame and is also used by the local PE as a service delimiter, i.e., to identify the customer and/or the particular service of that customer, then that encapsulation is preserved as the frame is sent into the VPLS, unless the Requested VLAN ID optional parameter was signaled. In that case, the VLAN tag is overwritten before the frame is sent out on the PW.
- If the frame, as it arrives at the PE, has an encapsulation that does not have the required VLAN tag, a null tag is imposed if the Requested VLAN ID optional parameter was not signaled.

As an application of these rules, a customer frame may arrive at a customer-facing port with a VLAN tag that identifies the customer's VPLS instance and also identifies a customer VLAN. That tag would be preserved as it is encapsulated in the VPLS.

The Ethernet VLAN PW provides a simple way to preserve customer 802.1p bits.

A VPLS MAY have both Ethernet and Ethernet VLAN PWs. However, if a PE is not able to support both PWs simultaneously, it SHOULD send a Label Release on the PW messages that it cannot support with a status code "Unknown FEC" as given in [RFC3036].

#### 9. Operation of a VPLS

We show here, in Figure 2, below, an example of how a VPLS works. The following discussion uses the figure below, where a VPLS has been set up between PE1, PE2, and PE3. The VPLS connects a customer with 4 sites labeled A1, A2, A3, and A4 through CE1, CE2, CE3, and CE4, respectively.

Initially, the VPLS is set up so that PE1, PE2, and PE3 have a full mesh of Ethernet PWs. The VPLS instance is assigned an identifier (AGI). For the above example, say PE1 signals PW label 102 to PE2 and 103 to PE3, and PE2 signals PW label 201 to PE1 and 203 to PE3.

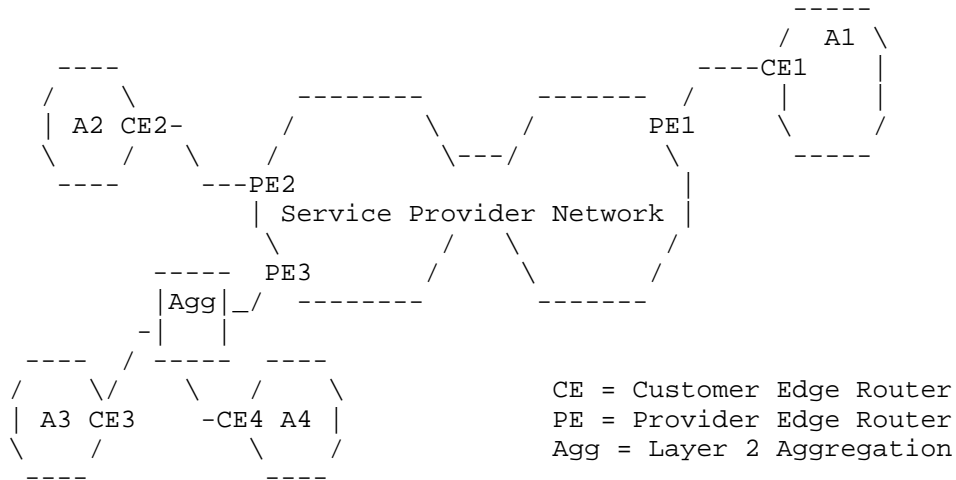


Figure 2: Example of a VPLS

Assume a packet from A1 is bound for A2. When it leaves CE1, say it has a source MAC address of M1 and a destination MAC of M2. If PE1 does not know where M2 is, it will flood the packet; i.e., send it to PE2 and PE3. When PE2 receives the packet, it will have a PW label of 201. PE2 can conclude that the source MAC address M1 is behind PE1, since it distributed the label 201 to PE1. It can therefore associate MAC address M1 with PW label 102.

9.1. MAC Address Aging

PEs that learn remote MAC addresses SHOULD have an aging mechanism to remove unused entries associated with a PW label. This is important both for conservation of memory and for administrative purposes. For example, if a customer site A, is shut down, eventually the other PEs should unlearn A's MAC address.

The aging timer for MAC address M SHOULD be reset when a packet with source MAC address M is received.

## 10. A Hierarchical VPLS Model

The solution described above requires a full mesh of tunnel LSPs between all the PE routers that participate in the VPLS service. For each VPLS service,  $n*(n-1)/2$  PWs must be set up between the PE routers. While this creates signaling overhead, the real detriment to large scale deployment is the packet replication requirements for each provisioned PWs on a PE router. Hierarchical connectivity, described in this document, reduces signaling and replication overhead to allow large-scale deployment.

In many cases, service providers place smaller edge devices in multi-tenant buildings and aggregate them into a PE in a large Central Office (CO) facility. In some instances, standard IEEE 802.1q (Dot 1Q) tagging techniques may be used to facilitate mapping CE interfaces to VPLS access circuits at a PE.

It is often beneficial to extend the VPLS service tunneling techniques into the access switch domain. This can be accomplished by treating the access device as a PE and provisioning PWs between it and every other edge, as a basic VPLS. An alternative is to utilize [RFC4448] PWs or Q-in-Q logical interfaces between the access device and selected VPLS enabled PE routers. Q-in-Q encapsulation is another form of L2 tunneling technique, which can be used in conjunction with MPLS signaling, as will be described later. The following two sections focus on this alternative approach. The VPLS core PWs (hub) are augmented with access PWs (spoke) to form a two-tier hierarchical VPLS (H-VPLS).

Spoke PWs may be implemented using any L2 tunneling mechanism, and by expanding the scope of the first tier to include non-bridging VPLS PE routers. The non-bridging PE router would extend a spoke PW from a Layer-2 switch that connects to it, through the service core network, to a bridging VPLS PE router supporting hub PWs. We also describe how VPLS-challenged nodes and low-end CEs without MPLS capabilities may participate in a hierarchical VPLS.

For rest of this discussion we refer to a bridging capable access device as MTU-s and a non-bridging capable PE as PE-r. We refer to a routing and bridging capable device as PE-rs.

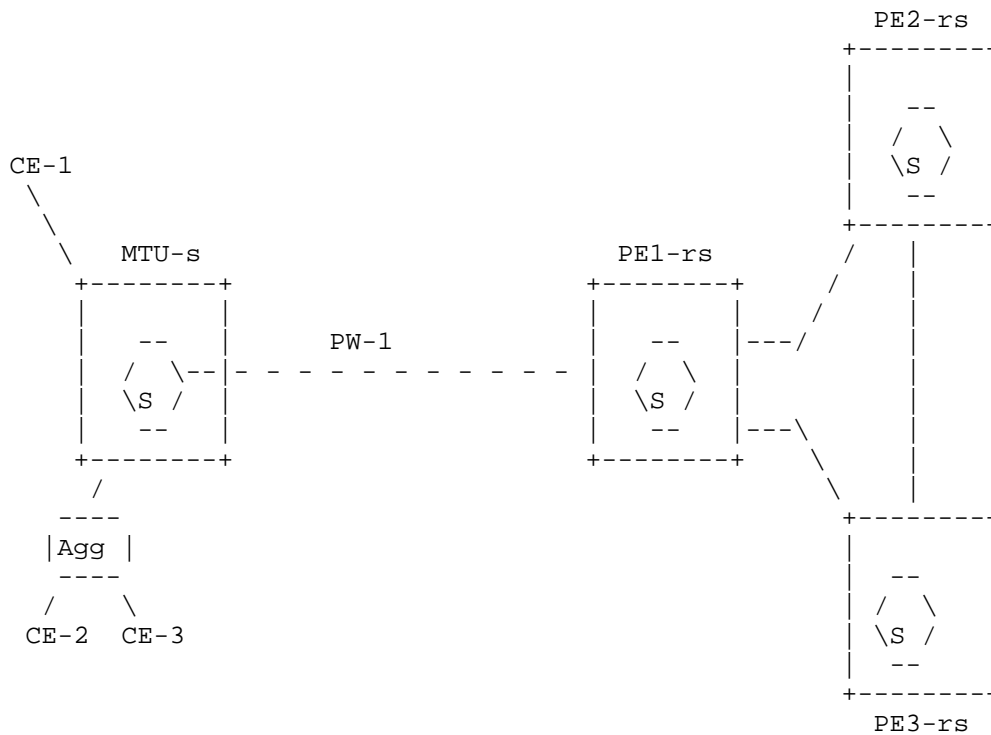
### 10.1. Hierarchical Connectivity

This section describes the hub and spoke connectivity model and describes the requirements of the bridging capable and non-bridging MTU-s devices for supporting the spoke connections.



10.1.1. Spoke Connectivity for Bridging-Capable Devices

In Figure 3, below, three customer sites are connected to an MTU-s through CE-1, CE-2, and CE-3. The MTU-s has a single connection (PW-1) to PE1-rs. The PE-rs devices are connected in a basic VPLS full mesh. For each VPLS service, a single spoke PW is set up between the MTU-s and the PE-rs based on [RFC4447]. Unlike traditional PWs that terminate on a physical (or a VLAN-tagged logical) port, a spoke PW terminates on a virtual switch instance (VSI; see [L2FRAME]) on the MTU-s and the PE-rs devices.



Agg = Layer-2 Aggregation  
 --  
 / \  
 \S / = Virtual Switch Instance  
 --

Figure 3: An example of a hierarchical VPLS model

The MTU-s and the PE-rs treat each spoke connection like an AC of the VPLS service. The PW label is used to associate the traffic from the spoke to a VPLS instance.

#### 10.1.1.1. MTU-s Operation

An MTU-s is defined as a device that supports layer-2 switching functionality and does all the normal bridging functions of learning and replication on all its ports, including the spoke, which is treated as a virtual port. Packets to unknown destinations are replicated to all ports in the service including the spoke. Once the MAC address is learned, traffic between CE1 and CE2 will be switched locally by the MTU-s, saving the capacity of the spoke to the PE-rs. Similarly traffic between CE1 or CE2 and any remote destination is switched directly onto the spoke and sent to the PE-rs over the point-to-point PW.

Since the MTU-s is bridging capable, only a single PW is required per VPLS instance for any number of access connections in the same VPLS service. This further reduces the signaling overhead between the MTU-s and PE-rs.

If the MTU-s is directly connected to the PE-rs, other encapsulation techniques, such as Q-in-Q, can be used for the spoke.

#### 10.1.1.2. PE-rs Operation

A PE-rs is a device that supports all the bridging functions for VPLS service and supports the routing and MPLS encapsulation; i.e., it supports all the functions described for a basic VPLS, as described above.

The operation of PE-rs is independent of the type of device at the other end of the spoke. Thus, the spoke from the MTU-s is treated as a virtual port, and the PE-rs will switch traffic between the spoke PW, hub PWs, and ACs once it has learned the MAC addresses.

#### 10.1.2. Advantages of Spoke Connectivity

Spoke connectivity offers several scaling and operational advantages for creating large-scale VPLS implementations, while retaining the ability to offer all the functionality of the VPLS service.

- Eliminates the need for a full mesh of tunnels and full mesh of PWs per service between all devices participating in the VPLS service.
- Minimizes signaling overhead, since fewer PWs are required for the VPLS service.

- Segments VPLS nodal discovery. MTU-s needs to be aware of only the PE-rs node, although it is participating in the VPLS service that spans multiple devices. On the other hand, every VPLS PE-rs must be aware of every other VPLS PE-rs and all of its locally connected MTU-s and PE-r devices.
- Addition of other sites requires configuration of the new MTU-s but does not require any provisioning of the existing MTU-s devices on that service.
- Hierarchical connections can be used to create VPLS service that spans multiple service provider domains. This is explained in a later section.

Note that as more devices participate in the VPLS, there are more devices that require the capability for learning and replication.

#### 10.1.3. Spoke Connectivity for Non-Bridging Devices

In some cases, a bridging PE-rs may not be deployed, or a PE-r might already have been deployed. In this section, we explain how a PE-r that does not support any of the VPLS bridging functionality can participate in the VPLS service.

In Figure 4, three customer sites are connected through CE-1, CE-2, and CE-3 to the VPLS through PE-r. For every attachment circuit that participates in the VPLS service, PE-r creates a point-to-point PW that terminates on the VSI of PE1-rs.

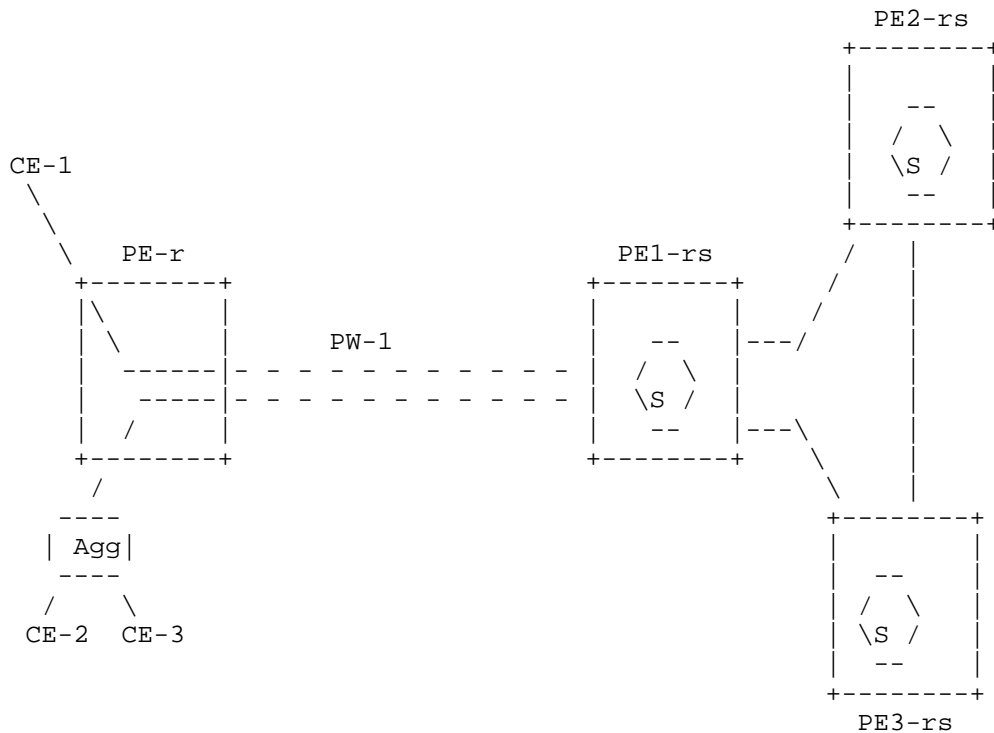


Figure 4: An example of a hierarchical VPLS with non-bridging spokes

The PE-r is defined as a device that supports routing but does not support any bridging functions. However, it is capable of setting up PWs between itself and the PE-rs. For every port that is supported in the VPLS service, a PW is set up from the PE-r to the PE-rs. Once the PWs are set up, there is no learning or replication function required on the part of the PE-r. All traffic received on any of the ACs is transmitted on the PW. Similarly, all traffic received on a PW is transmitted to the AC where the PW terminates. Thus, traffic from CE1 destined for CE2 is switched at PE1-rs and not at PE-r.

Note that in the case where PE-r devices use Provider VLANs (P-VLAN) as demultiplexers instead of PWs, PE1-rs can treat them as such and map these "circuits" into a VPLS domain to provide bridging support between them.

This approach adds more overhead than the bridging-capable (MTU-s) spoke approach, since a PW is required for every AC that participates in the service versus a single PW required per service (regardless of ACs) when an MTU-s is used. However, this approach offers the advantage of offering a VPLS service in conjunction with a routed internet service without requiring the addition of new MTU-s.

## 10.2. Redundant Spoke Connections

An obvious weakness of the hub and spoke approach described thus far is that the MTU-s has a single connection to the PE-rs. In case of failure of the connection or the PE-rs, the MTU-s suffers total loss of connectivity.

In this section, we describe how the redundant connections can be provided to avoid total loss of connectivity from the MTU-s. The mechanism described is identical for both, MTU-s and PE-r devices.

### 10.2.1. Dual-Homed MTU-s

To protect from connection failure of the PW or the failure of the PE-rs, the MTU-s or the PE-r is dual-homed into two PE-rs devices. The PE-rs devices must be part of the same VPLS service instance.

In Figure 5, two customer sites are connected through CE-1 and CE-2 to an MTU-s. The MTU-s sets up two PWs (one each to PE1-rs and PE3-rs) for each VPLS instance. One of the two PWs is designated as primary and is the one that is actively used under normal conditions, whereas the second PW is designated as secondary and is held in a standby state. The MTU-s negotiates the PW labels for both the primary and secondary PWs, but does not use the secondary PW unless the primary PW fails. How a spoke is designated primary or secondary is outside the scope of this document. For example, a spanning tree instance running between only the MTU-s and the two PE-rs nodes is one possible method. Another method could be configuration.

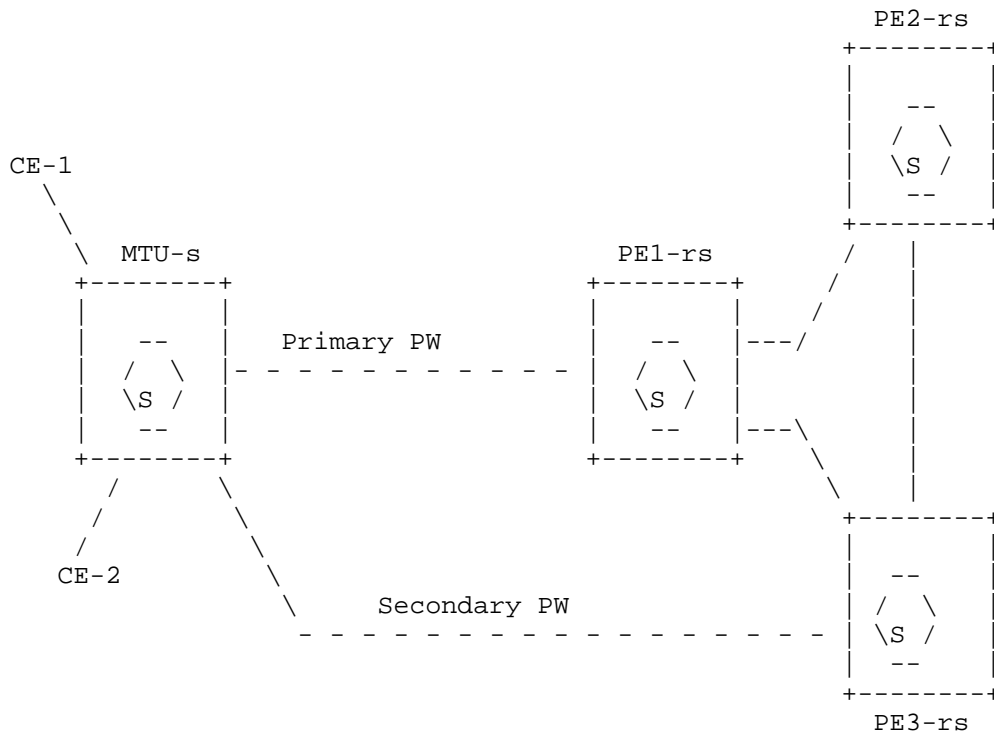


Figure 5: An example of a dual-homed MTU-s

10.2.2. Failure Detection and Recovery

The MTU-s should control the usage of the spokes to the PE-rs devices. If the spokes are PWs, then LDP signaling is used to negotiate the PW labels, and the hello messages used for the LDP session could be used to detect failure of the primary PW. The use of other mechanisms that could provide faster detection failures is outside the scope of this document.

Upon failure of the primary PW, MTU-s immediately switches to the secondary PW. At this point, the PE3-rs that terminates the secondary PW starts learning MAC addresses on the spoke PW. All other PE-rs nodes in the network think that CE-1 and CE-2 are behind PE1-rs and may continue to send traffic to PE1-rs until they learn that the devices are now behind PE3-rs. The unlearning process can take a long time and may adversely affect the connectivity of higher-level protocols from CE1 and CE2. To enable faster convergence, the PE3-rs where the secondary PW got activated may send out a flush message (as explained in Section 6.2), using the MAC List

TLV, as defined in Section 6, to all PE-rs nodes. Upon receiving the message, PE-rs nodes flush the MAC addresses associated with that VPLS instance.

### 10.3. Multi-domain VPLS Service

Hierarchy can also be used to create a large-scale VPLS service within a single domain or a service that spans multiple domains without requiring full mesh connectivity between all VPLS-capable devices. Two fully meshed VPLS networks are connected together using a single LSP tunnel between the VPLS "border" devices. A single spoke PW per VPLS service is set up to connect the two domains together.

When more than two domains need to be connected, a full mesh of inter-domain spokes is created between border PEs. Forwarding rules over this mesh are identical to the rules defined in Section 4.

This creates a three-tier hierarchical model that consists of a hub-and-spoke topology between MTU-s and PE-rs devices, a full-mesh topology between PE-rs, and a full mesh of inter-domain spokes between border PE-rs devices.

This document does not specify how redundant border PEs per domain per VPLS instance can be supported.

## 11. Hierarchical VPLS Model Using Ethernet Access Network

In this section, the hierarchical model is expanded to include an Ethernet access network. This model retains the hierarchical architecture discussed previously in that it leverages the full-mesh topology among PE-rs devices; however, no restriction is imposed on the topology of the Ethernet access network (e.g., the topology between MTU-s and PE-rs devices is not restricted to hub and spoke).

The motivation for an Ethernet access network is that Ethernet-based networks are currently deployed by some service providers to offer VPLS services to their customers. Therefore, it is important to provide a mechanism that allows these networks to integrate with an IP or MPLS core to provide scalable VPLS services.

One approach of tunneling a customer's Ethernet traffic via an Ethernet access network is to add an additional VLAN tag to the customer's data (which may be either tagged or untagged). The additional tag is referred to as Provider's VLAN (P-VLAN). Inside the provider's network each P-VLAN designates a customer or more specifically a VPLS instance for that customer. Therefore, there is a one-to-one correspondence between a P-VLAN and a VPLS instance. In

this model, the MTU-s needs to have the capability of adding the additional P-VLAN tag to non-multiplexed ACs where customer VLANs are not used as service delimiters. This functionality is described in [802.1ad].

If customer VLANs need to be treated as service delimiters (e.g., the AC is a multiplexed port), then the MTU-s needs to have the additional capability of translating a customer VLAN (C-VLAN) to a P-VLAN, or to push an additional P-VLAN tag, in order to resolve overlapping VLAN tags used by different customers. Therefore, the MTU-s in this model can be considered a typical bridge with this additional capability. This functionality is described in [802.1ad].

The PE-rs needs to be able to perform bridging functionality over the standard Ethernet ports toward the access network, as well as over the PWs toward the network core. In this model, the PE-rs may need to run STP towards the access network, in addition to split-horizon over the MPLS core. The PE-rs needs to map a P-VLAN to a VPLS-instance and its associated PWs, and vice versa.

The details regarding bridge operation for MTU-s and PE-rs (e.g., encapsulation format for Q-in-Q messages, customer's Ethernet control protocol handling, etc.) are outside the scope of this document and are covered in [802.1ad]. However, the relevant part is the interaction between the bridge module and the MPLS/IP PWs in the PE-rs, which behaves just as in a regular VPLS.

### 11.1. Scalability

Since each P-VLAN corresponds to a VPLS instance, the total number of VPLS instances supported is limited to 4K. The P-VLAN serves as a local service delimiter within the provider's network that is stripped as it gets mapped to a PW in a VPLS instance. Therefore, the 4K limit applies only within an Ethernet access network (Ethernet island) and not to the entire network. The SP network consists of a core MPLS/IP network that connects many Ethernet islands. Therefore, the number of VPLS instances can scale accordingly with the number of Ethernet islands (a metro region can be represented by one or more islands).

### 11.2. Dual Homing and Failure Recovery

In this model, an MTU-s can be dual homed to different devices (aggregators and/or PE-rs devices). The failure protection for access network nodes and links can be provided through running STP in each island. The STP of each island is independent of other islands and do not interact with others. If an island has more than one PE-rs, then a dedicated full-mesh of PWs is used among these PE-rs



devices for carrying the SP BPDU packets for that island. On a per-P-VLAN basis, STP will designate a single PE-rs to be used for carrying the traffic across the core. The loop-free protection through the core is performed using split-horizon, and the failure protection in the core is performed through standard IP/MPLS re-routing.

## 12. Contributors

Loa Andersson, TLA  
Ron Haberman, Alcatel-Lucent  
Juha Heinanen, Independent  
Giles Heron, Tellabs  
Sunil Khandekar, Alcatel-Lucent  
Luca Martini, Cisco  
Pascal Menezes, Independent  
Rob Nath, Alcatel-Lucent  
Eric Puetz, AT&T  
Vasile Radoaca, Independent  
Ali Sajassi, Cisco  
Yetik Serbest, AT&T  
Nick Slabakov, Juniper  
Andrew Smith, Consultant  
Tom Soon, AT&T  
Nick Tingle, Alcatel-Lucent

## 13. Acknowledgments

We wish to thank Joe Regan, Kireeti Kompella, Anoop Ghanwani, Joel Halpern, Bill Hong, Rick Wilder, Jim Guichard, Steve Phillips, Norm Finn, Matt Squire, Muneyoshi Suzuki, Waldemar Augustyn, Eric Rosen, Yakov Rekhter, Sasha Vainshtein, and Du Wenhua for their valuable feedback.

We would also like to thank Rajiv Papneja (ISOCORE), Winston Liu (Ixia), and Charlie Hundall for identifying issues with the draft in the course of the interoperability tests.

We would also like to thank Ina Minei, Bob Thomas, Eric Gray and Dimitri Papadimitriou for their thorough technical review of the document.

#### 14. Security Considerations

A more comprehensive description of the security issues involved in L2VPNs is covered in [RFC4111]. An unguarded VPLS service is vulnerable to some security issues that pose risks to the customer and provider networks. Most of the security issues can be avoided through implementation of appropriate guards. A couple of them can be prevented through existing protocols.

- Data plane aspects
  - Traffic isolation between VPLS domains is guaranteed by the use of per VPLS L2 FIB table and the use of per VPLS PWs.
  - The customer traffic, which consists of Ethernet frames, is carried unchanged over VPLS. If security is required, the customer traffic SHOULD be encrypted and/or authenticated before entering the service provider network.
  - Preventing broadcast storms can be achieved by using routers as CPE devices or by rate policing the amount of broadcast traffic that customers can send.
- Control plane aspects
  - LDP security (authentication) methods as described in [RFC3036] SHOULD be applied. This would prevent unauthenticated messages from disrupting a PE in a VPLS.
- Denial of service attacks
  - Some means to limit the number of MAC addresses (per site per VPLS) that a PE can learn SHOULD be implemented.

#### 15. IANA Considerations

The type field in the MAC List TLV is defined as 0x404 in Section 6.2.1.

## 16. References

## 16.1. Normative References

- [RFC4447] Martini, L., Rosen, E., El-Aawar, N., Smith, T., and G. Heron, "Pseudowire Setup and Maintenance Using the Label Distribution Protocol (LDP)", RFC 4447, April 2006.
- [RFC4448] Martini, L., Rosen, E., El-Aawar, N., and G. Heron, "Encapsulation Methods for Transport of Ethernet over MPLS Networks", RFC 4448, April 2006.
- [802.1D-ORIG] Original 802.1D - ISO/IEC 10038, ANSI/IEEE Std 802.1D-1993 "MAC Bridges".
- [802.1D-REV] 802.1D - "Information technology - Telecommunications and information exchange between systems - Local and metropolitan area networks - Common specifications - Part 3: Media Access Control (MAC) Bridges: Revision. This is a revision of ISO/IEC 10038: 1993, 802.1j-1992 and 802.6k-1992. It incorporates P802.11c, P802.1p and P802.12e." ISO/IEC 15802-3: 1998.
- [802.1Q] 802.1Q - ANSI/IEEE Draft Standard P802.1Q/D11, "IEEE Standards for Local and Metropolitan Area Networks: Virtual Bridged Local Area Networks", July 1998.
- [RFC3036] Andersson, L., Doolan, P., Feldman, N., Fredette, A., and B. Thomas, "LDP Specification", RFC 3036, January 2001.
- [RFC4446] Martini, L., "IANA Allocations for Pseudowire Edge to Edge Emulation (PWE3)", BCP 116, RFC 4446, April 2006.
- [RFC2119] Bradner, S., "Key words for use in RFCs to Indicate Requirement Levels", BCP 14, RFC 2119, March 1997.

## 16.2. Informative References

- [RFC4364] Rosen, E. and Y. Rekhter, "BGP/MPLS IP Virtual Private Networks (VPNs)", RFC 4364, February 2006.
- [RADIUS-DISC] Heinanen, J., Weber, G., Ed., Townsley, W., Booth, S., and W. Luo, "Using Radius for PE-Based VPN Discovery", Work in Progress, October 2005.

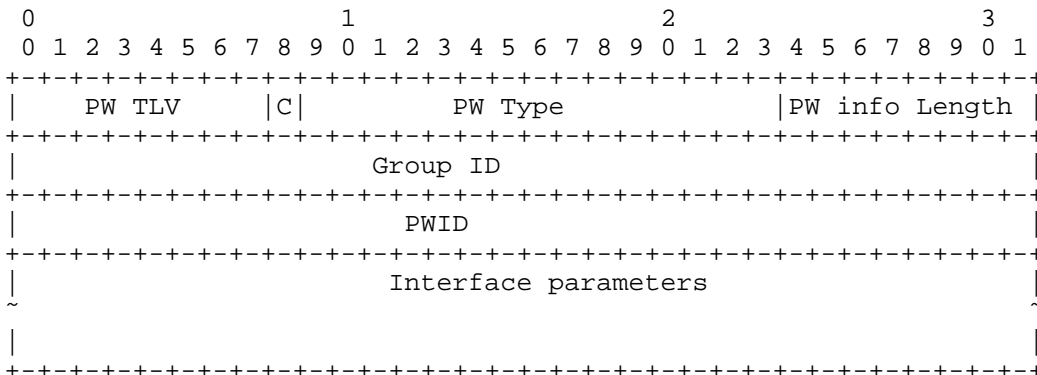
- [BGP-DISC] Ould-Brahim, H., Ed., Rosen, E., Ed., and Y. Rekhter, Ed., "Using BGP as an Auto-Discovery Mechanism for Network-based VPNs", Work in Progress, September 2006.
- [L2FRAME] Andersson, L. and E. Rosen, "Framework for Layer 2 Virtual Private Networks (L2VPNs)", RFC 4664, September 2006.
- [L2VPN-REQ] Augustyn, W. and Y. Serbest, "Service Requirements for Layer 2 Provider-Provisioned Virtual Private Networks", RFC 4665, September 2006.
- [RFC4111] Fang, L., "Security Framework for Provider-Provisioned Virtual Private Networks (PPVPNs)", RFC 4111, July 2005.
- [802.1ad] "IEEE standard for Provider Bridges", Work in Progress, December 2002.

Appendix A. VPLS Signaling using the PWid FEC Element

This section is being retained because live deployments use this version of the signaling for VPLS.

The VPLS signaling information is carried in a Label Mapping message sent in downstream unsolicited mode, which contains the following PWid FEC TLV.

PW, C, PW Info Length, Group ID, and Interface parameters are as defined in [RFC4447].



We use the Ethernet PW type to identify PWs that carry Ethernet traffic for multipoint connectivity.

In a VPLS, we use a VCID (which, when using the PWid FEC, has been substituted with a more general identifier (AGI), to address extending the scope of a VPLS) to identify an emulated LAN segment. Note that the VCID as specified in [RFC4447] is a service identifier, identifying a service emulating a point-to-point virtual circuit. In a VPLS, the VCID is a single service identifier, so it has global significance across all PEs involved in the VPLS instance.

Authors' Addresses

Marc Lasserre  
Alcatel-Lucent  
EMail: mlasserre@alcatel-lucent.com

Vach Kompella  
Alcatel-Lucent  
EMail: vach.kompella@alcatel-lucent.com

## Full Copyright Statement

Copyright (C) The IETF Trust (2007).

This document is subject to the rights, licenses and restrictions contained in BCP 78, and except as set forth therein, the authors retain all their rights.

This document and the information contained herein are provided on an "AS IS" basis and THE CONTRIBUTOR, THE ORGANIZATION HE/SHE REPRESENTS OR IS SPONSORED BY (IF ANY), THE INTERNET SOCIETY, THE IETF TRUST AND THE INTERNET ENGINEERING TASK FORCE DISCLAIM ALL WARRANTIES, EXPRESS OR IMPLIED, INCLUDING BUT NOT LIMITED TO ANY WARRANTY THAT THE USE OF THE INFORMATION HEREIN WILL NOT INFRINGE ANY RIGHTS OR ANY IMPLIED WARRANTIES OF MERCHANTABILITY OR FITNESS FOR A PARTICULAR PURPOSE.

## Intellectual Property

The IETF takes no position regarding the validity or scope of any Intellectual Property Rights or other rights that might be claimed to pertain to the implementation or use of the technology described in this document or the extent to which any license under such rights might or might not be available; nor does it represent that it has made any independent effort to identify any such rights. Information on the procedures with respect to rights in RFC documents can be found in BCP 78 and BCP 79.

Copies of IPR disclosures made to the IETF Secretariat and any assurances of licenses to be made available, or the result of an attempt made to obtain a general license or permission for the use of such proprietary rights by implementers or users of this specification can be obtained from the IETF on-line IPR repository at <http://www.ietf.org/ipr>.

The IETF invites any interested party to bring to its attention any copyrights, patents or patent applications, or other proprietary rights that may cover technology that may be required to implement this standard. Please address the information to the IETF at [ietf-ipr@ietf.org](mailto:ietf-ipr@ietf.org).

## Acknowledgement

Funding for the RFC Editor function is currently provided by the Internet Society.